

**BR**<sup>®</sup>

Aluminium System

**SYSTEM  
LINA**

**15 SS**  
Solar Shading

**ARCHITECTURAL  
CATALOGUE**

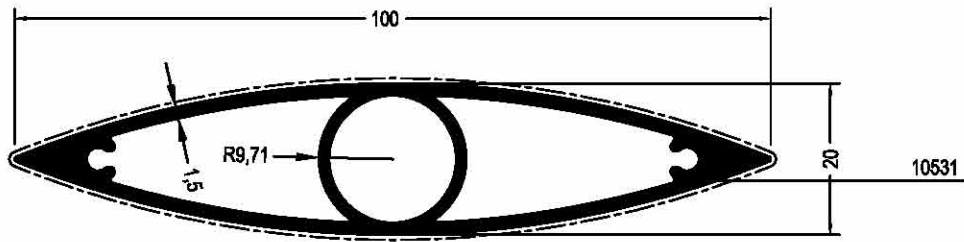


EDITION : 12 / 2006

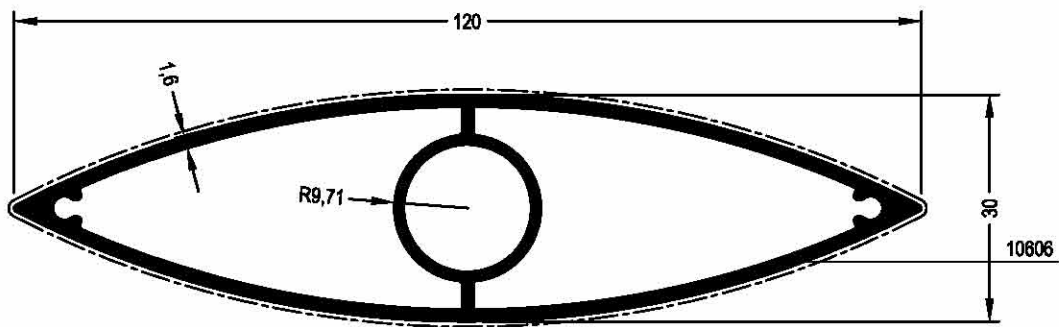
**BR**<sup>®</sup>  
Aluminium System

LINA 15 SS

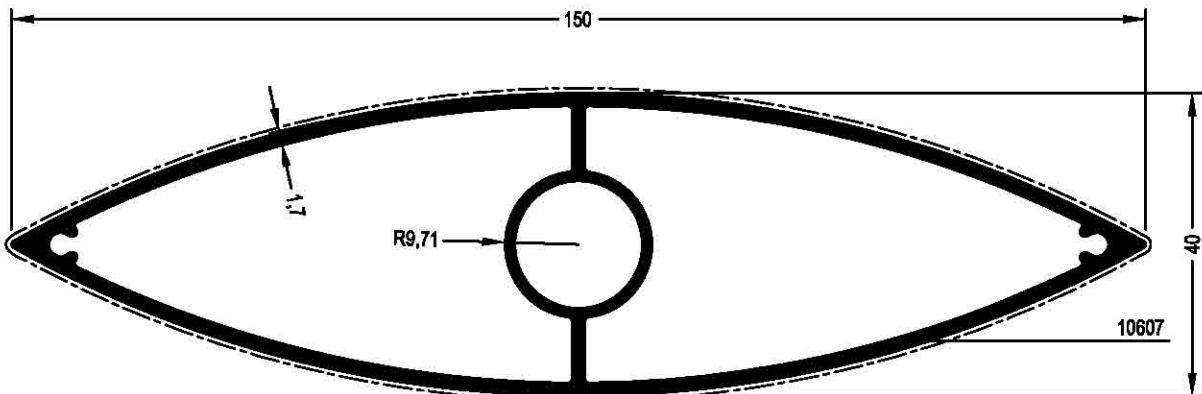
SOLAR SHADING



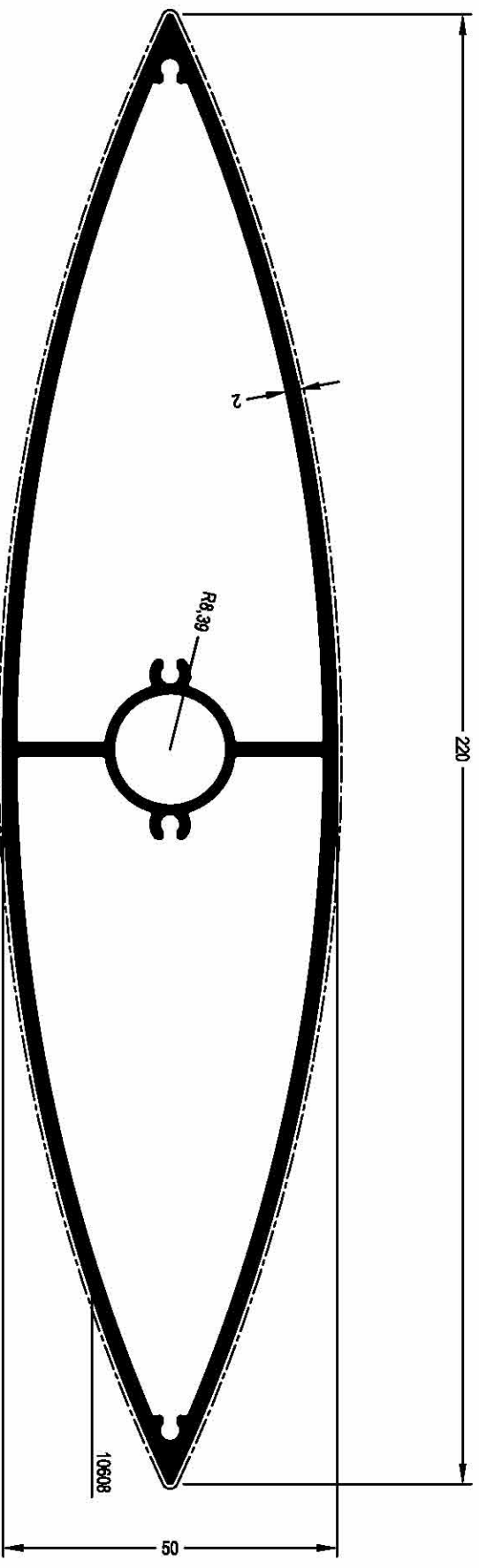
<b>15PS02</b>	SOLAR SHADING		100 / 20	
	THEORETICAL WEIGHT kg/mt	J <sub>xx</sub> (cm <sup>4</sup> )	J <sub>yy</sub> (cm <sup>4</sup> )	
PROFILE CODE	1.086	1.550	31.437	10531 20.881



<b>15PS08</b>	SOLAR SHADING		120 / 30	
	THEORETICAL WEIGHT kg/mt	J <sub>xx</sub> (cm <sup>4</sup> )	J <sub>yy</sub> (cm <sup>4</sup> )	
PROFILE CODE	1.331	4.659	50.877	10606 25.044

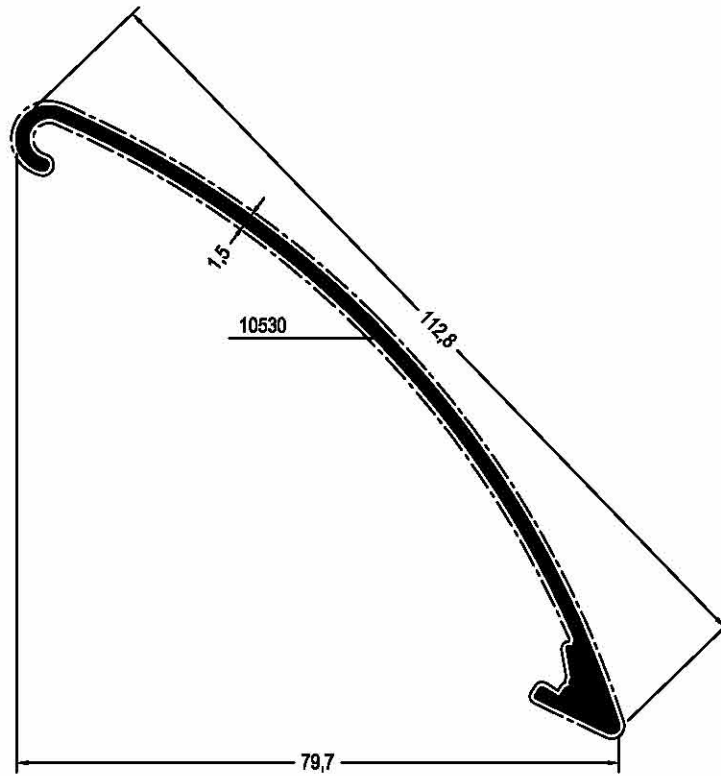


<b>15PS09</b>	SOLAR SHADING		150 / 40	
	THEORETICAL WEIGHT kg/mt	J <sub>xx</sub> (cm <sup>4</sup> )	J <sub>yy</sub> (cm <sup>4</sup> )	
PROFILE CODE	1.738	11.103	105.294	10607 31.456

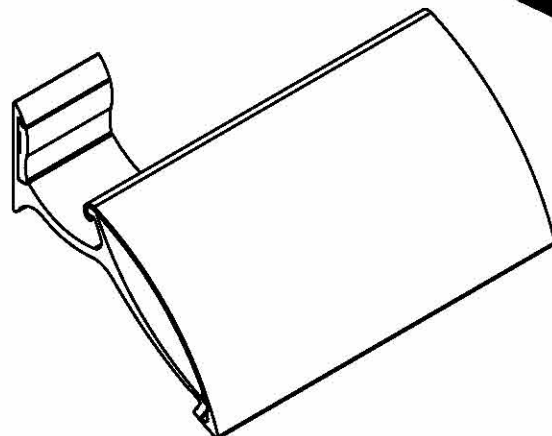
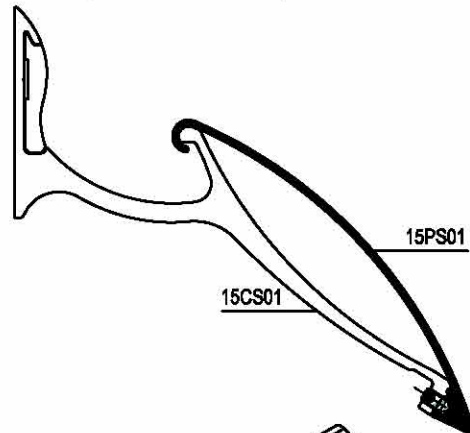
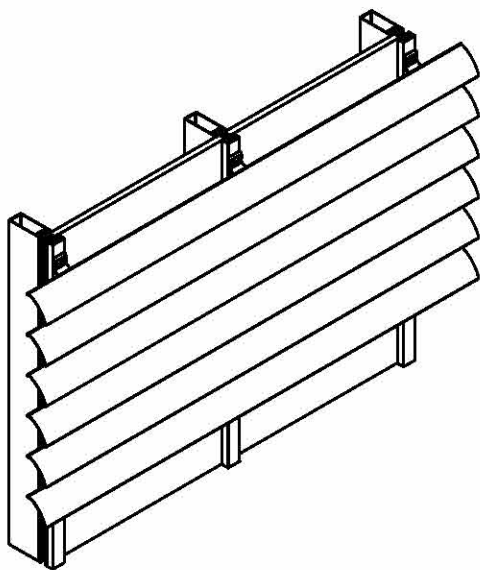


<b>15PS10</b>	SOLAR SHADING		220 / 50		
	THEORETICAL WEIGHT (kg/ml)	J <sub>XX</sub> (cm <sup>4</sup> )	J <sub>YY</sub> (cm <sup>4</sup> )	Coating Surface (cm <sup>2</sup> )	
PROFILE CODE	2.871	29.221	374.644	10608	45.560

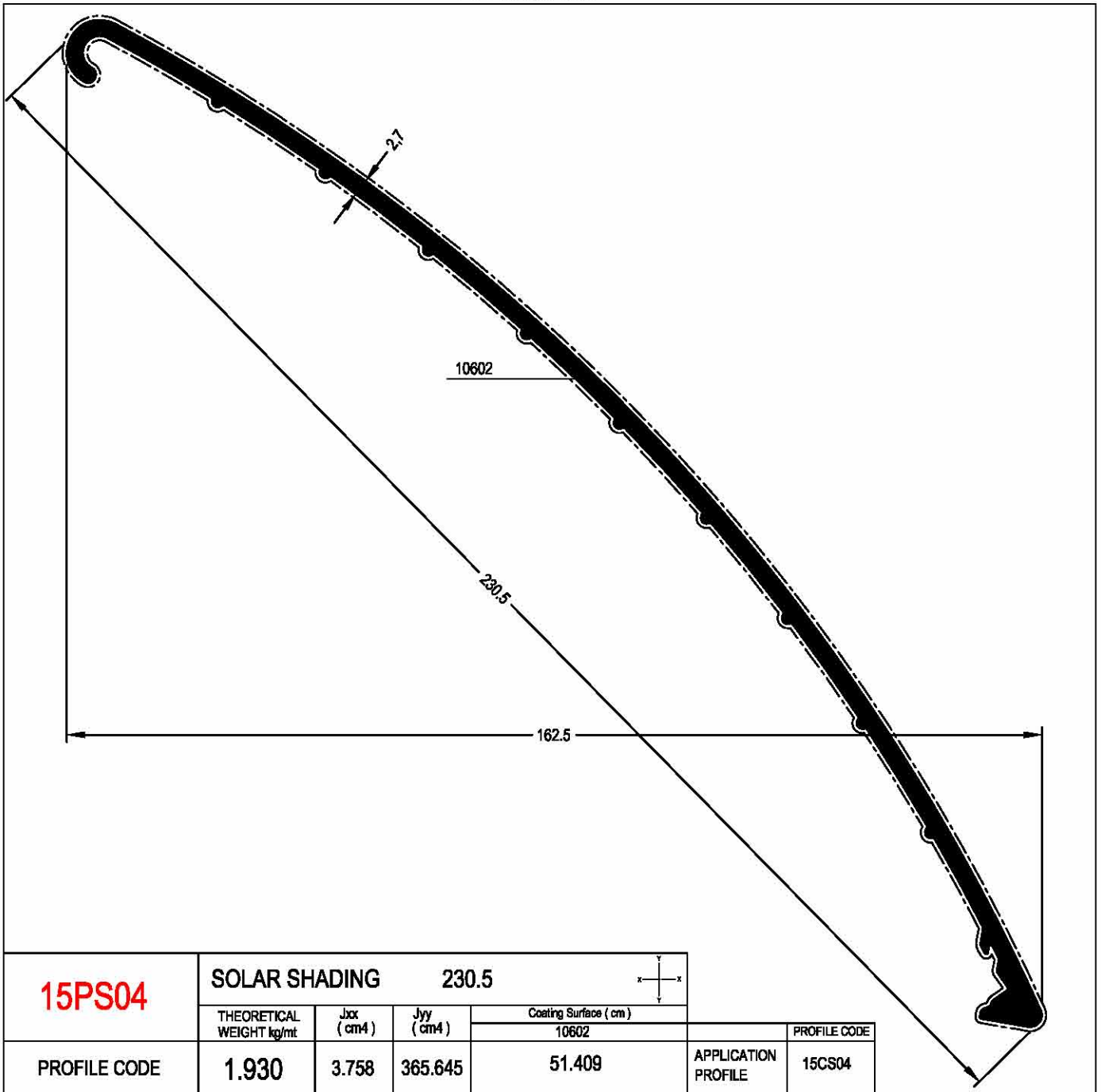
SOLAR SHADING



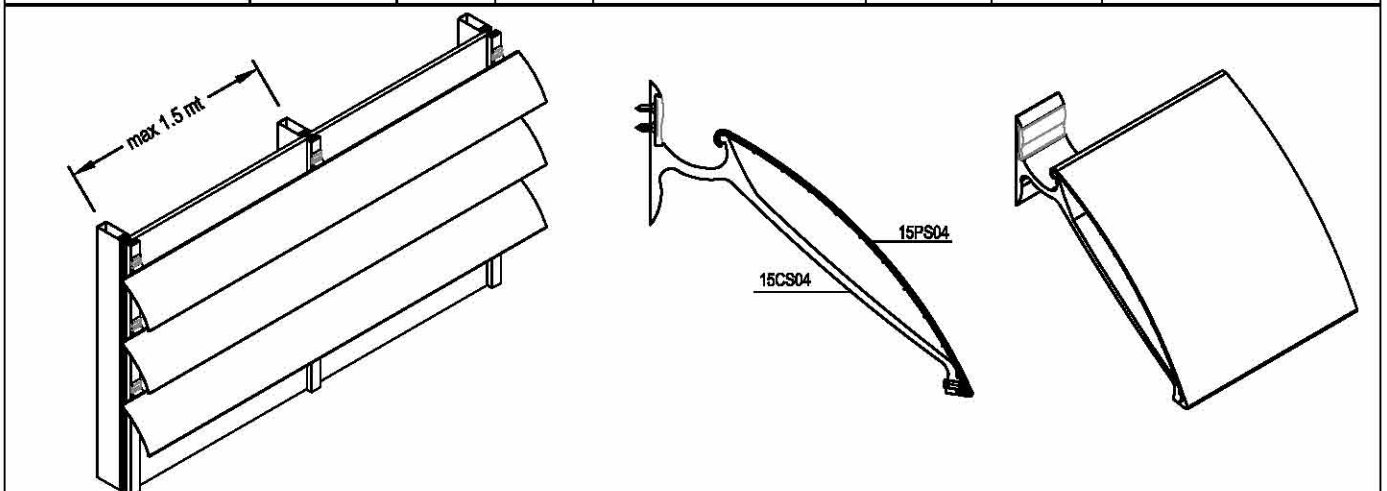
<b>15PS01</b>	SOLAR SHADING		112.8		APPLICATION PROFILE	PROFILE CODE
	THEORETICAL WEIGHT kg/mt	J <sub>xx</sub> (cm <sup>4</sup> )	J <sub>yy</sub> (cm <sup>4</sup> )			
PROFILE CODE	0.622	0.672	32.204	10530	15CS01	15CS01



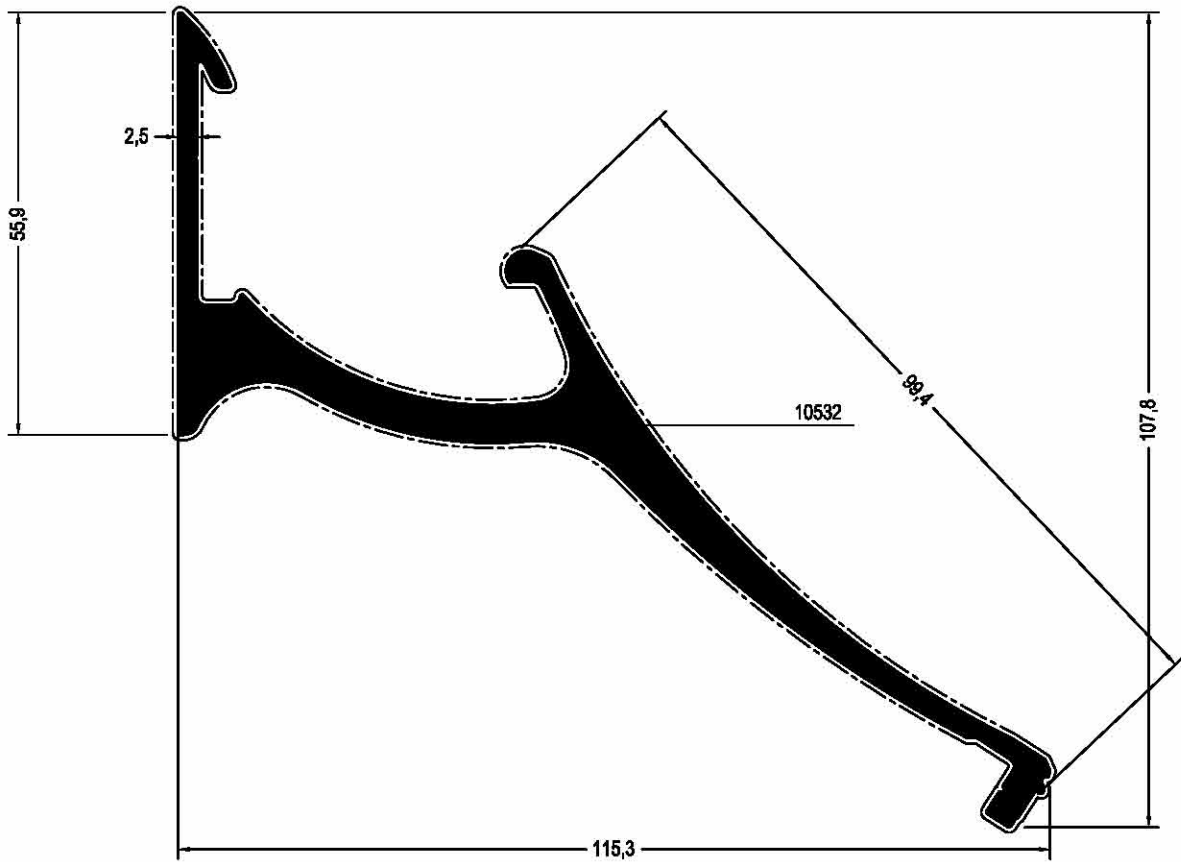
SOLAR SHADING



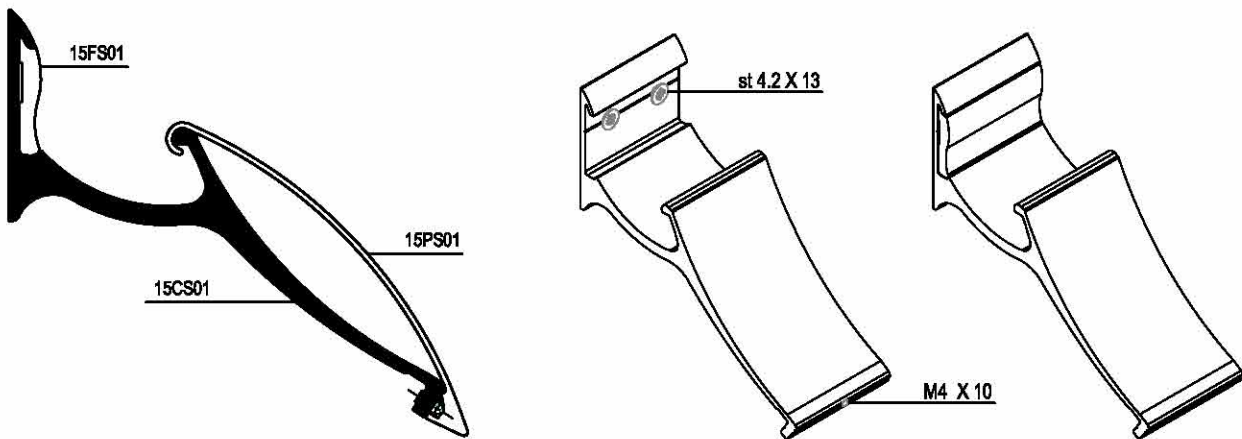
<b>15PS04</b>	SOLAR SHADING		230.5		APPLICATION PROFILE	PROFILE CODE
	THEORETICAL WEIGHT kg/m	J <sub>xx</sub> (cm <sup>4</sup> )	J <sub>yy</sub> (cm <sup>4</sup> )			
PROFILE CODE	1.930	3.758	365.645	106.02	15CS04	15CS04



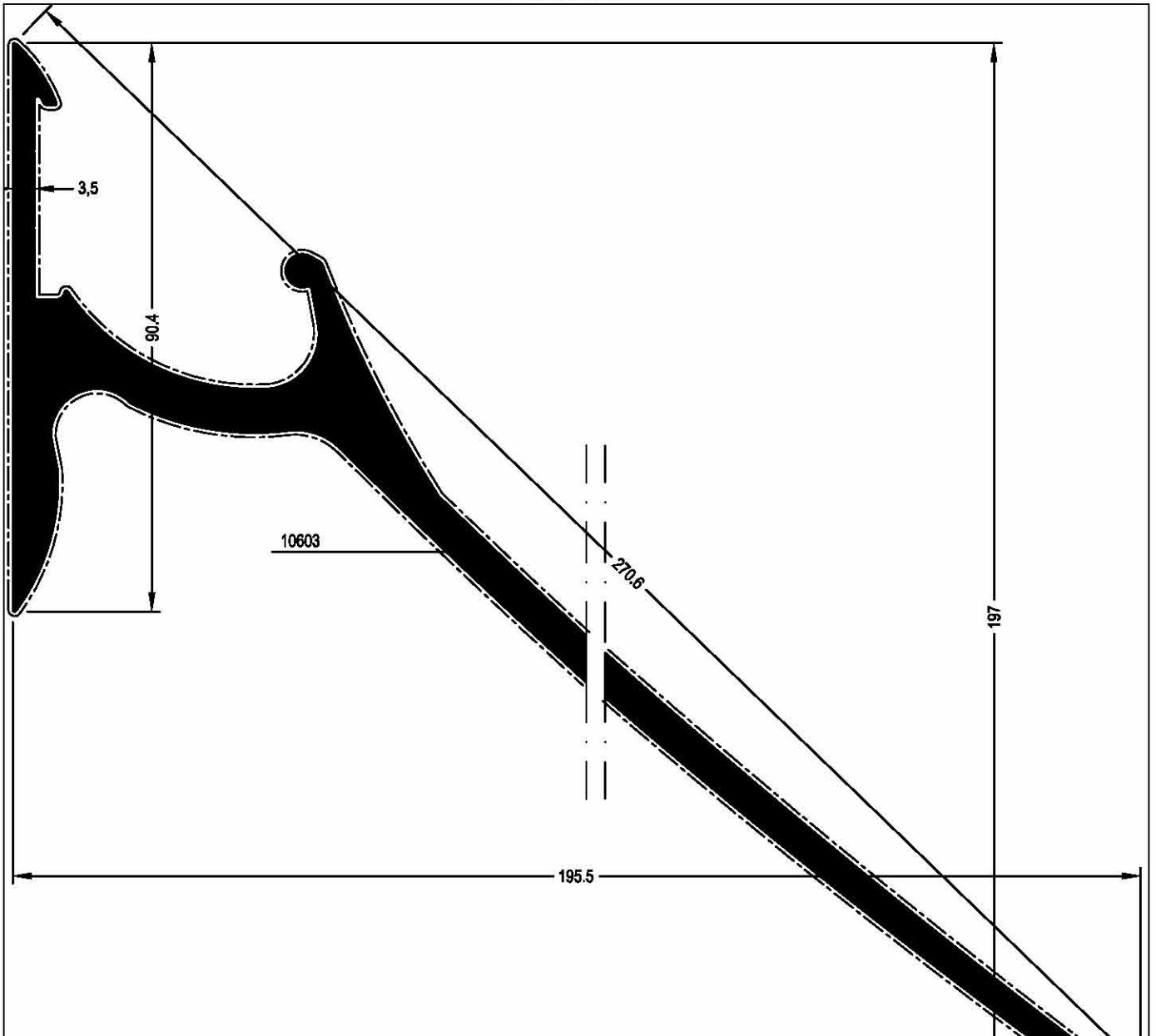
SOLAR SHADING



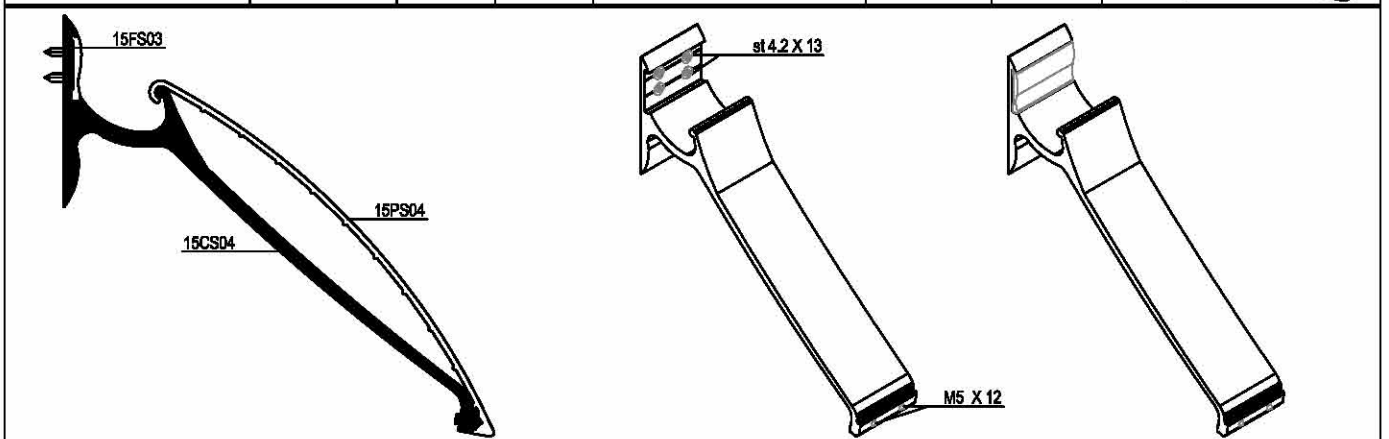
<b>15CS01</b>	SOLAR SHADING		115.3 / 107.8			
	THEORETICAL WEIGHT kg/mt	J <sub>xx</sub> (cm <sup>4</sup> )	J <sub>yy</sub> (cm <sup>4</sup> )	Coating Surface (cm)		
PROFILE CODE	2.554	8.003	146.460	10532	APPLICATION PROFILE	15PS01, 15FS01
				43.590		



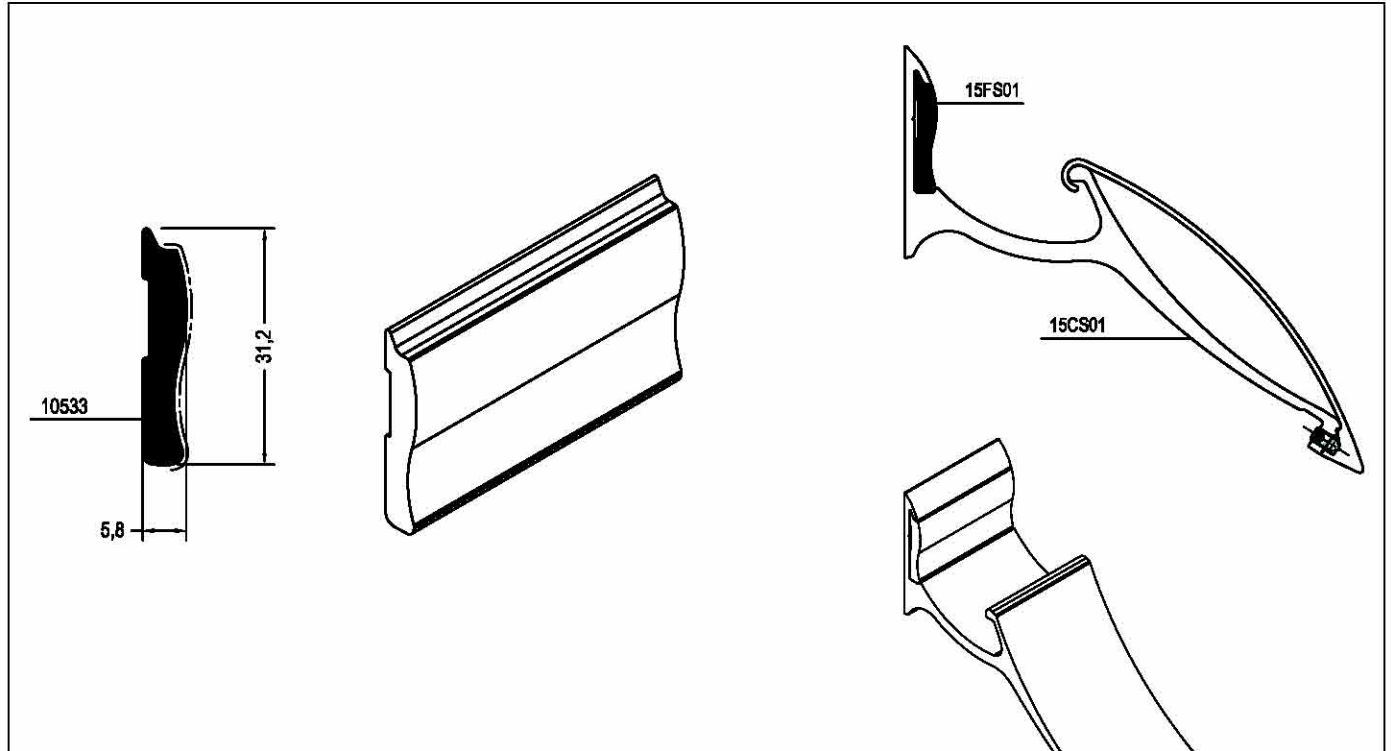
SOLAR SHADING



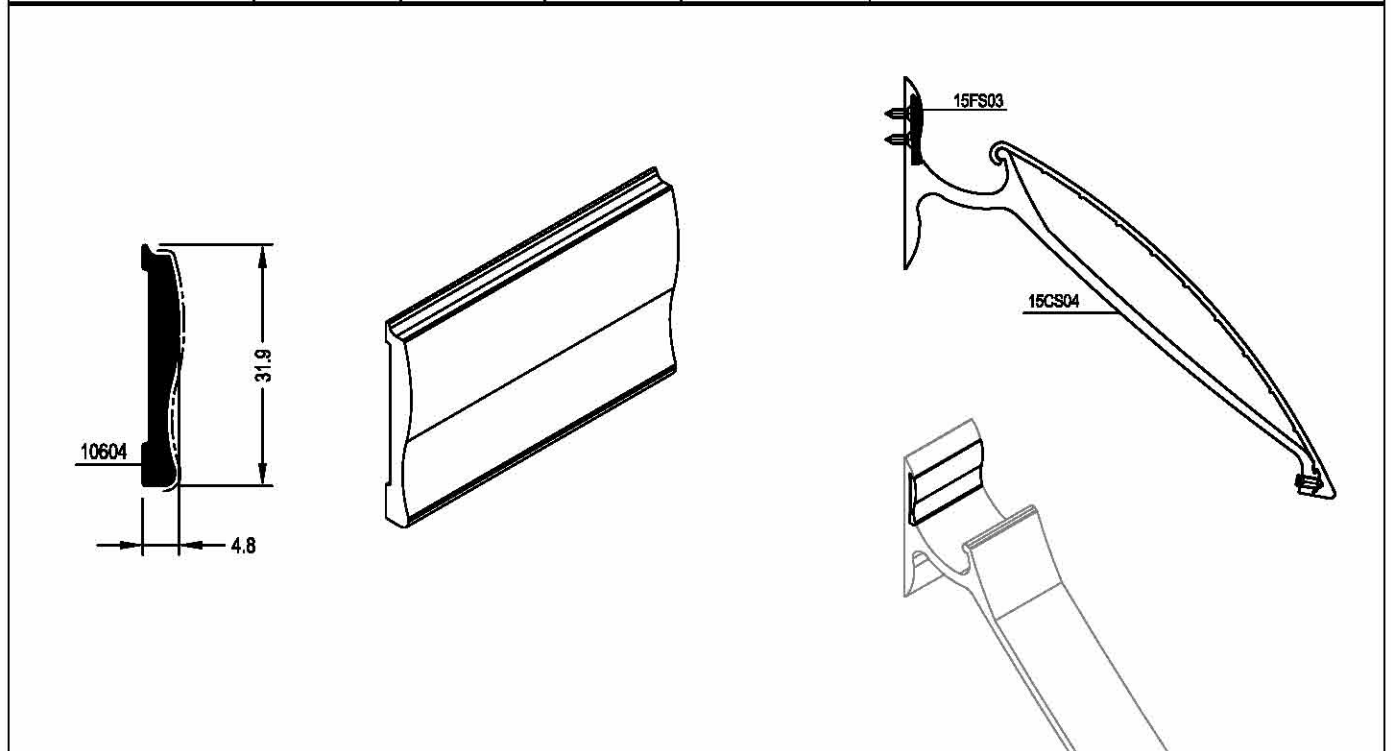
<b>15CS04</b>	SOLAR SHADING		195.5 / 197		
	THEORETICAL WEIGHT kg/mt	J <sub>xx</sub> (cm <sup>4</sup> )	J <sub>yy</sub> (cm <sup>4</sup> )	Coating Surface (cm)	
PROFILE CODE	5.613	32.104	1230.143	10603	APPLICATION PROFILE
				72.671	PROFILE CODE
					15PS04, 15FS03



SOLAR SHADING



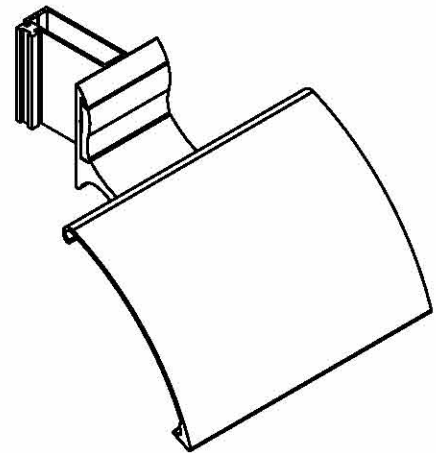
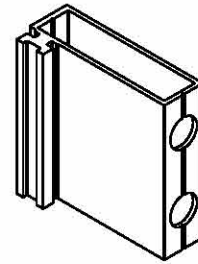
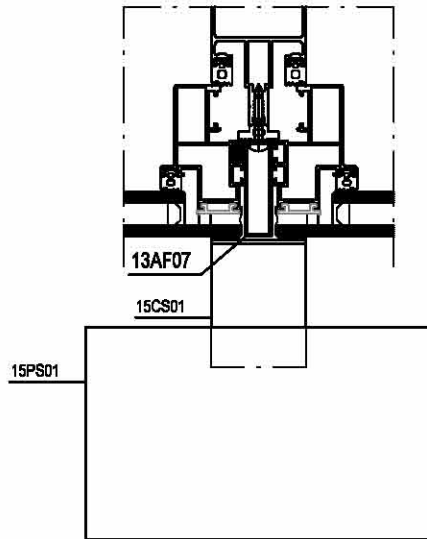
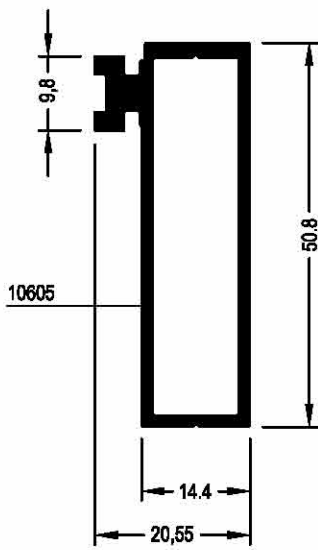
<b>15FS01</b>	SOLAR SHADING		5.8 / 31.2	
	THEORETICAL WEIGHT kg/mt	Coating Surface (cm) 10533	APPLICATION PROFILE	PROFILE CODE
PROFILE CODE	0.371	7.087		15CS01



<b>15FS03</b>	SOLAR SHADING		4.8 / 31.9	
	THEORETICAL WEIGHT kg/mt	Coating Surface (cm) 10604	APPLICATION PROFILE	PROFILE CODE
PROFILE CODE	0.284	7.129		15CS04

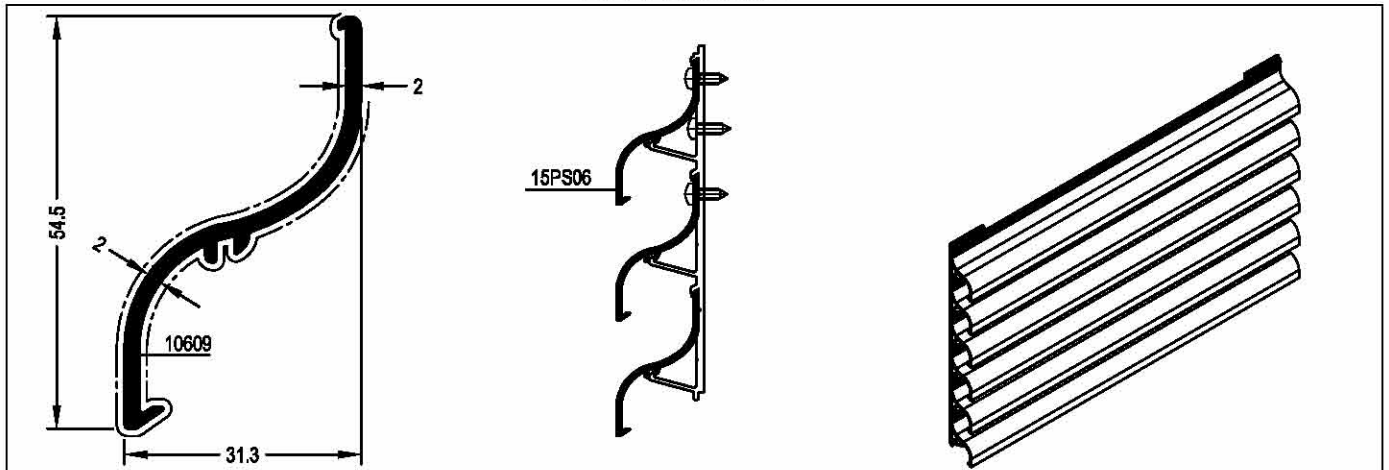


SOLAR SHADING

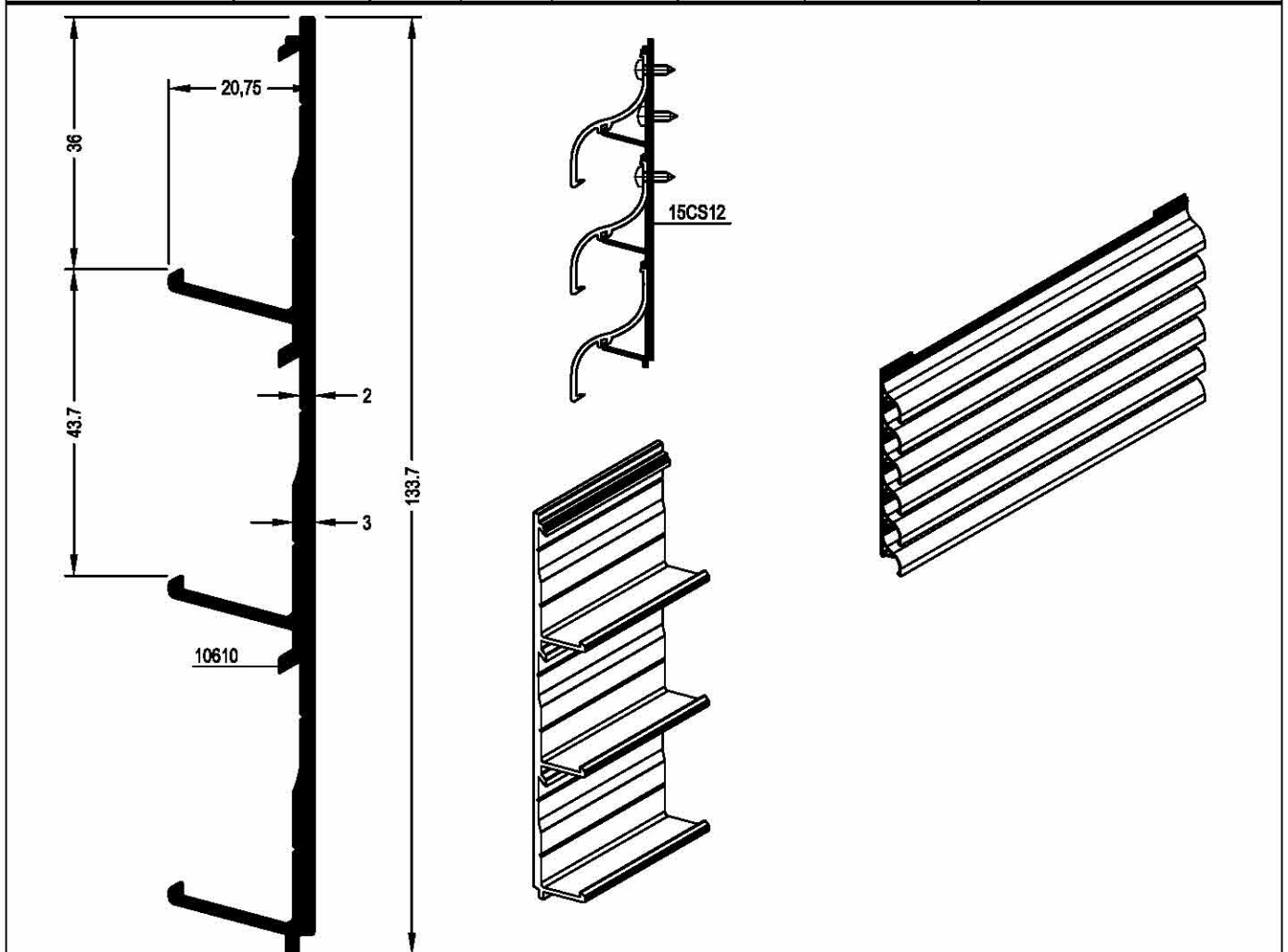


<b>13AF07</b>	<b>SOLAR SHADING ADAPTER 25.5 / 50.8</b>			
	THEORETICAL WEIGHT kg/m	Coating Surface (cm)	APPLICATION PROFILE	PROFILE CODE
PROFILE CODE	0.632	10605		
		7.087		

SHUTTERS PROFILE



<b>15PS06</b>	SHUTTER PROFILE				31.3 / 54.5		
	THEORETICAL WEIGHT kg/mt	J <sub>xx</sub> (cm <sup>4</sup> )	J <sub>yy</sub> (cm <sup>4</sup> )	Coating Surface (cm)	Covering Surface (cm)	PROFILE CODE	
PROFILE CODE	0.413	0.177	4.955	10609	10609	APPLICATION PROFILE	15CS12
				15.689	7.254		



<b>15CS12</b>	SHUTTER PROFILE				20.75 / 133.7		
	THEORETICAL WEIGHT kg/mt	J <sub>xx</sub> (cm <sup>4</sup> )	J <sub>yy</sub> (cm <sup>4</sup> )	Coating Surface (cm)	Covering Surface (cm)	PROFILE CODE	
PROFILE CODE	1.214	1.140	65.631	10610	10610	APPLICATION PROFILE	15PS06
				40.876	---		